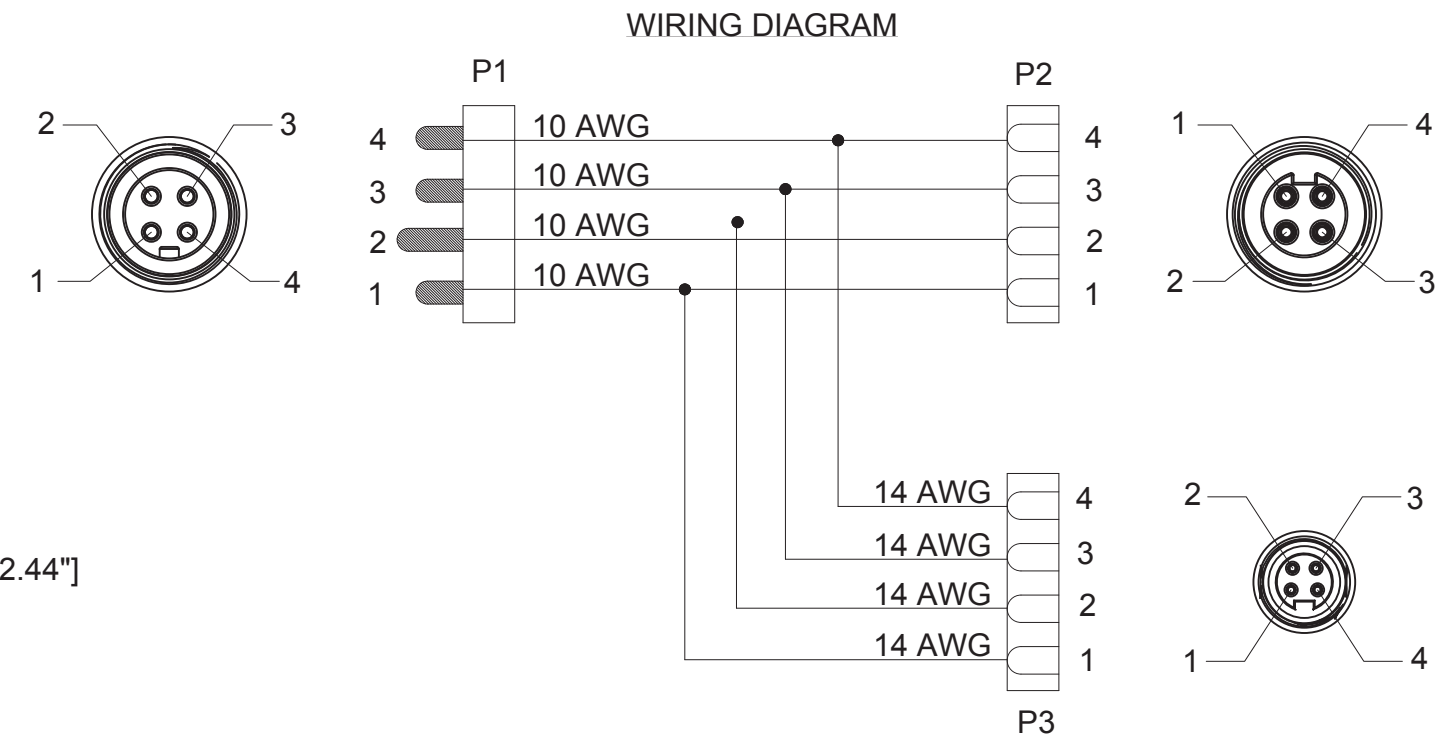
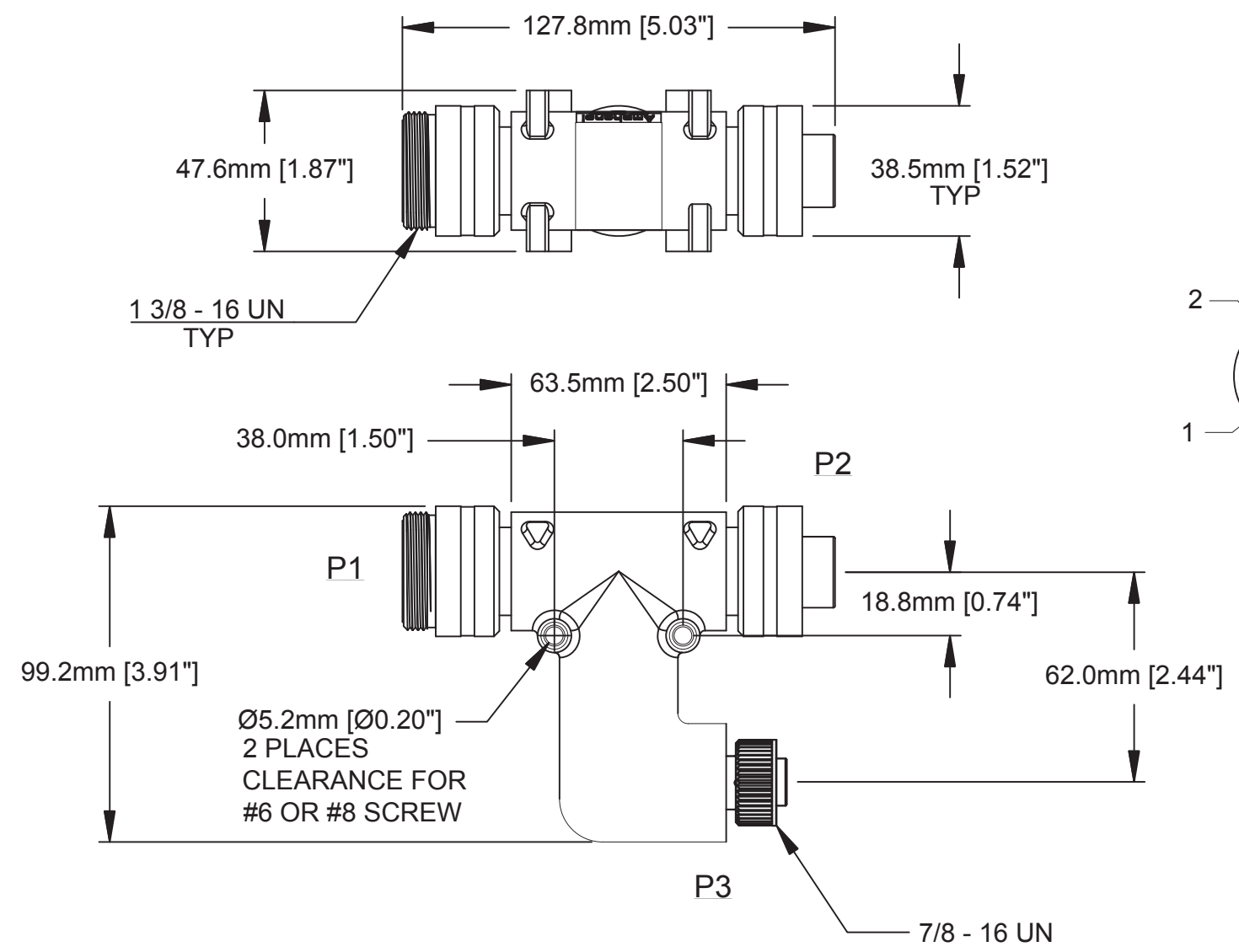



REVISIONS					
REV	ECO	DESCRIPTION	DATE	BY	APPR
A1	-	TECHNICAL DATA SHEET RELEASE	12-MAY-14	KMM	RFC



TECHNICAL DATA:

- MATERIALS:**
 COUPLING NUT: MACHINED ALUMINUM, ANODIZED
 INSULATION INSERT: THERMOPLASTIC, UL 94/V-0
 CONTACT: GOLD FLASH PLATING OVER COPPER ALLOY
 OVERMOLD MATERIAL: THERMOPLASTIC COLOR: BLACK
 CONDUCTOR INSULATION: PVC
- ELECTRICAL DATA:**
 CURRENT (MAX): 15A
 VOLTAGE (MAX): 600V AC/DC
 INSULATION RESISTANCE (MIN): 5000M OHMS
 DIELECTRIC TEST VOLTAGE: 2200V
 SHORT CIRCUIT AMPERAGE RATING: 65kA - BREAKERS AND FUSES
- MECHANICAL DATA:**
 TEMPERATURE RANGE: -40°C TO 90°C
 PROTECTION: IP67 (MATED CONDITION)
 MATING CYCLES: >500
 VIBRATION RESISTANCE PER MIL-STD-202 METHOD 204
 THERMAL SHOCK PER MIL-STD-202 METHOD 207
 48 HOUR SALT SPRAY PER MIL-STD-202 METHOD 101
- RoHS COMPLIANT**
- UL 2237 LISTED ASSEMBLY**
 UL FILE NUMBERS: E339703


 Risk of Electrical Shock
 Do Not Disconnect Under Load.
 Risque de chocs électriques
 Ne pas débrancher sous tension.
WARNING

QUANTITY	PART NUMBER	DESCRIPTION	ITEM
MATERIALS LIST			
<small>UNLESS OTHERWISE SPECIFIED</small> 1) All dimensions are in metric (mm). 2) Tolerances are as follows: 1 PL DEC ±0.30 Fractions ±1/64 2 PL DEC ±0.15 Angles ±1° 3 PL DEC ±0.08 3) Note reference = 		SIGNATURES DATE DRAWN: KMM 12-MAY-14 CHECKED: MRF 12-MAY-14 ENGINEER: KMM APPROVAL: RFC 12-MAY-14	
MATERIAL SPECIFICATIONS: PROCESS SPECIFICATIONS: NEXT ASSY:		Amphenol Sine Systems - www.amphenol-sine.com 44724 Morley Drive Clinton Township, MI 48036 M35 PB LITE, 4 PIN, "h" STYLE REDUCING TEE, BLACK, M35 - M35 - M22	
SIZE: C- SCALE: HALF		DWG NO: P30867 REVISION: A1	
SHEET 1 OF 1		C-P30867	

TITLE: M35 PB LITE, 4 PIN, "h" STYLE REDUCING TEE, BLACK
 DWG NO: C-P30867
 REV: A1
 SH: 1
 OF: 1