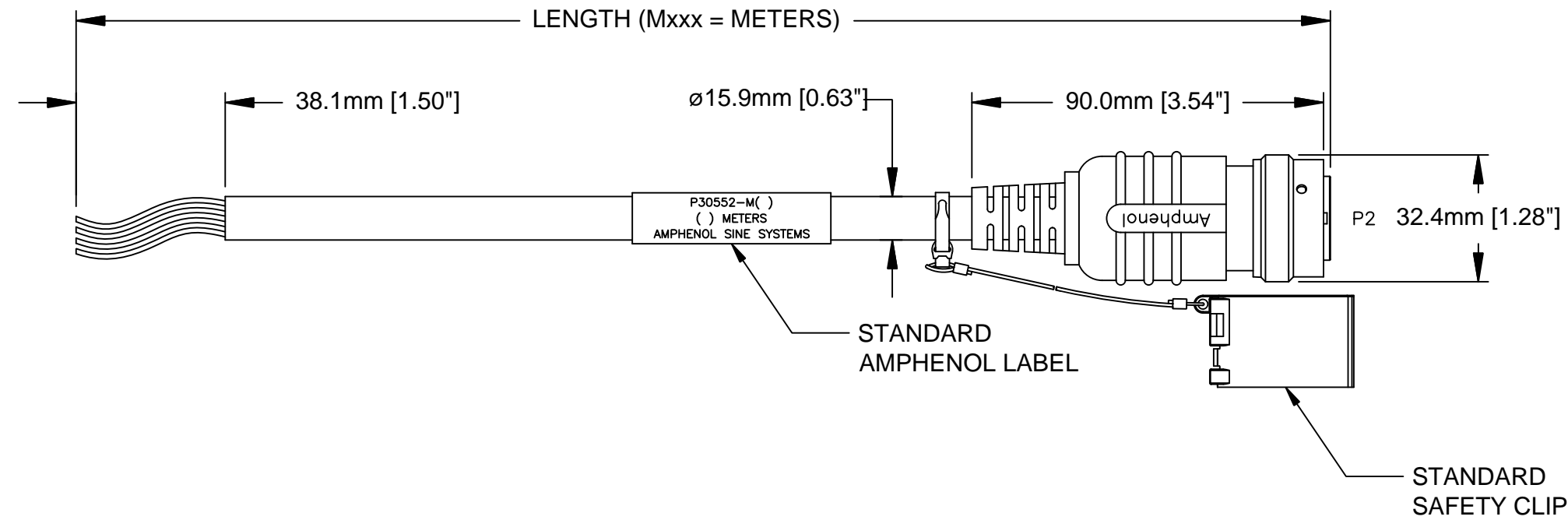


REVISIONS					
REV	ECO	DESCRIPTION	DATE	BY	APPR
A1	-	TECHNICAL DATA SHEET RELEASE	02/06/14	KMM	RFC



TECHNICAL DATA:

1) MATERIALS:

- HOUSING BODY: ZINC DIE CAST, NICKEL PLATED
- COUPLING NUT: ALUMINUM ALLOY, NICKEL PLATED
- WAVE SPRING: STAINLESS STEEL
- INSULATION INSERT: THERMOPLASTIC, UL 94/V-0
- CONTACT: GOLD FLASH PLATING OVER COPPER ALLOY
- SEAL AND O-RING: NBR (NITRILE BUTADIENE RUBBER)
- OVERMOLD MATERIAL: THERMOPLASTIC COLOR: BLACK
- CABLE JACKET MATERIAL: TPE COLOR: YELLOW
- CONDUCTOR INSULATION: PVC
- NUMBER OF CONDUCTORS: (4) - 13 AWG; (5) 18AWG

2) ELECTRICAL DATA:

	UL 2237		UL 2238	
	POWER	SIGNAL	POWER	SIGNAL
CURRENT (MAX)	10A	5A	20A	5A
VOLTAGE (MAX)	600VAC	30VDC	600VAC/DC	600VAC/DC

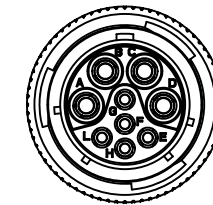
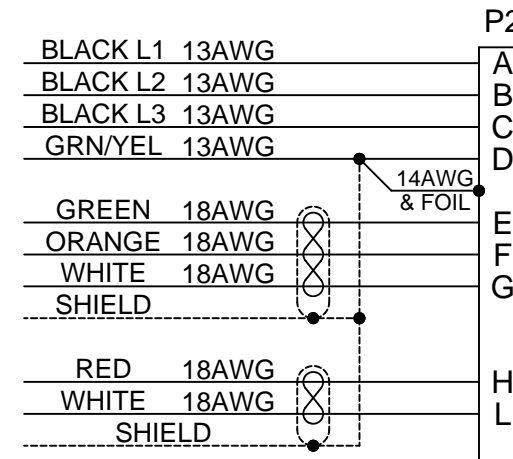
- INSULATION RESISTANCE (MIN): 5000M OHMS
- DIELECTRIC TEST VOLTAGE: 2200V
- SHORT CIRCUIT AMPERAGE RATING: 45kA - BREAKERS AND FUSES

3) MECHANICAL DATA:

- TEMPERATURE RANGE: -40°C TO 105°C
- PROTECTION: IP67 (MATED CONDITION)
- MATING CYCLES: >500
- VIBRATION RESISTANCE PER MIL-STD-202 METHOD 204
- THERMAL SHOCK PER MIL-STD-202 METHOD 207
- 48 HOUR SALT SPRAY PER MIL-STD-202 METHOD 101

4) RoHS COMPLIANT

- 5) UL 2237 AND UL 2238 LISTED ASSEMBLY
- UL FILE NUMBERS: E316693 AND E339703



MALE FACE VIEW

Risk of Electrical Shock
Do Not Disconnect Under Load.
Risque de chocs électriques
Ne pas débrancher sous tension.

WARNING

DO NOT SCALE DRAWING

TOLERANCE	
0-2.99 M = +100.0/-25.0mm	0-9.99 FT = +4" / -1"
3-8.99 M = +150.0/-25.0mm	10.00-29.99 FT = +6" / -1"
9-14.99 M = +300.0/-25.0mm	30.00-49.99 FT = +12" / -1"
15-OVER M = +450.0/-25.0mm	50 FT-OVER = +18" / -1"

QUANTITY	PART NUMBER	DESCRIPTION	ITEM
MATERIALS LIST			
UNLESS OTHERWISE SPECIFIED		SIGNATURES DATE	
1) All dimensions are in metric(mm).		DRAWN: KMM	02/06/14
2) Tolerances are as follows:		CHECKED: MRF	02/06/14
1 PL DEC ±0.30 Fractions ±1/64		ENGINEER: KMM	
2 PL DEC ±0.15 Angles ±1°		APPROVAL: RFC	02/06/14
3) Note reference =		CUSTOMER:	
MATERIAL SPECIFICATIONS:		THIS DRAWING IS SUPPLIED FOR INFORMATION ONLY. DESIGN FEATURES, SPECIFICATIONS AND PERFORMANCE DATA SHOWN HEREON ARE THE PROPERTY OF THE AMPHENOL CORPORATION. NO RIGHTS OF REPRODUCTION ARE IMPLIED. ALL DIMENSIONS ARE SUBJECT TO NORMAL MANUFACTURING VARIATIONS.	
PROCESS SPECIFICATIONS:		NEXT ASSY:	
REVISION		SCALE: NONE	
SIZE		TYPE	
DWG NO: P30552-M		REVISION: A1	
SHEET 1 OF 1		C-P30552	

TITLE: RT360 9 PIN, MALE, KEY "N", HI-FLEX, TC-ER ONLY
DWG NO: C-P30552-M
REV: A1
SH: 1
OF: 1