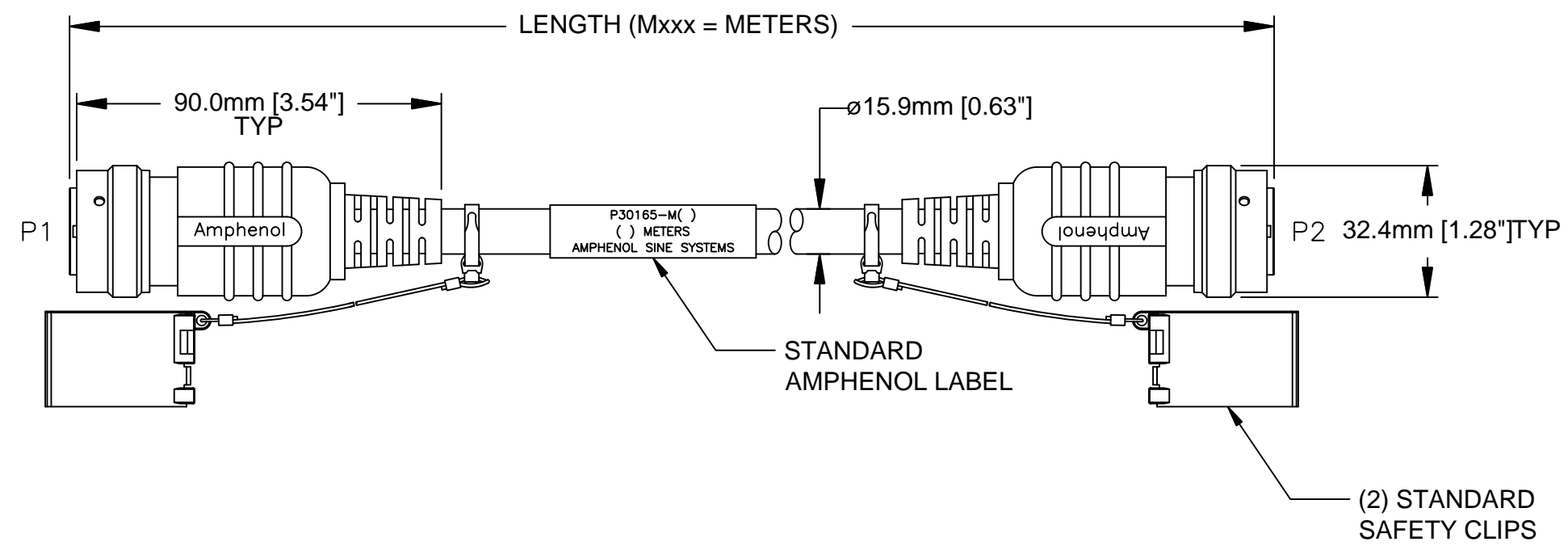


REVISIONS					
REV	ECO	DESCRIPTION	DATE	BY	APPR
A1	-	TECHNICAL DATA SHEET RELEASE	02/06/14	KMM	RFC



TECHNICAL DATA:

- 1) MATERIALS:
- HOUSING BODY: ZINC DIE CAST, NICKEL PLATED
 - COUPLING NUT: ALUMINUM ALLOY, NICKEL PLATED
 - WAVE SPRING: STAINLESS STEEL
 - INSULATION INSERT: THERMOPLASTIC, UL 94/V-0
 - CONTACT: GOLD FLASH PLATING OVER COPPER ALLOY
 - SEAL AND O-RING: NBR (NITRILE BUTADIENE RUBBER)
 - OVERMOLD MATERIAL: THERMOPLASTIC COLOR: BLACK
 - CABLE JACKET MATERIAL: TPE COLOR: YELLOW
 - CONDUCTOR INSULATION: PVC
 - NUMBER OF CONDUCTORS: (4) - 13 AWG; (5) 18AWG

2) ELECTRICAL DATA:

	UL 2237		UL 2238	
	POWER	SIGNAL	POWER	SIGNAL
CURRENT (MAX)	10A	5A	20A	5A
VOLTAGE (MAX)	600VAC	30VDC	600VAC/DC	600VAC/DC

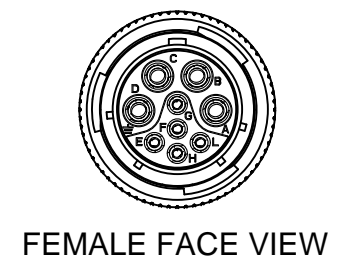
INSULATION RESISTANCE (MIN): 5000M OHMS
 DIELECTRIC TEST VOLTAGE: 2200V
 SHORT CIRCUIT AMPERAGE RATING: 45kA - BREAKERS AND FUSES

3) MECHANICAL DATA:

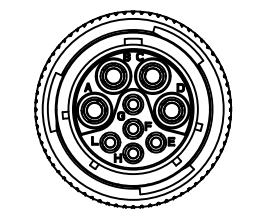
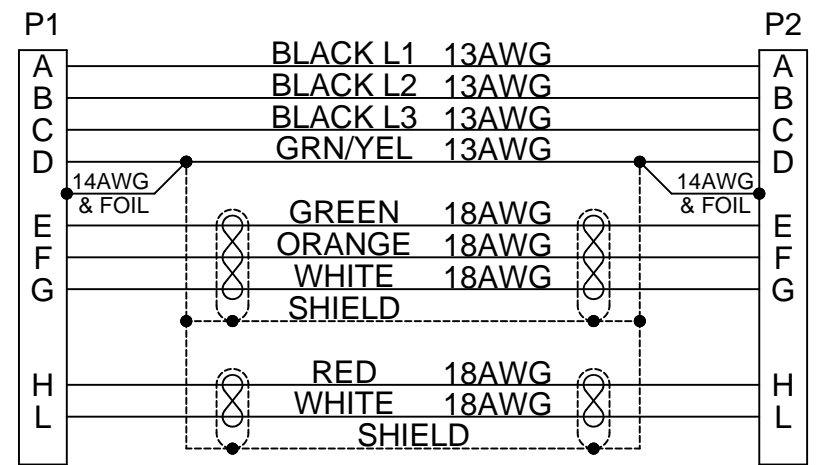
TEMPERATURE RANGE: -40°C TO 105°C
 PROTECTION: IP67 (MATED CONDITION)
 MATING CYCLES: >500
 VIBRATION RESISTANCE PER MIL-STD-202 METHOD 204
 THERMAL SHOCK PER MIL-STD-202 METHOD 207
 48 HOUR SALT SPRAY PER MIL-STD-202 METHOD 101

4) RoHS COMPLIANT

5) UL 2237 AND 2238 LISTED ASSEMBLY
 UL FILE NUMBERS: E316693 AND E339703



FEMALE FACE VIEW



MALE FACE VIEW

Risk of Electrical Shock
 Do Not Disconnect Under Load.
 Risque de chocs électriques
 Ne pas debrancher sous tension.

WARNING

DO NOT SCALE DRAWING

TOLERANCE	
0-2.99 M = +100.0/-25.0mm	0-9.99 FT = +4" / -1"
3-8.99 M = +150.0/-25.0mm	10.00-29.99 FT = +6" / -1"
9-14.99 M = +300.0/-25.0mm	30.00-49.99 FT = +12" / -1"
15-OVER M = +450.0/-25.0mm	50 FT-OVER = +18" / -1"

QUANTITY	PART NUMBER	DESCRIPTION	ITEM
MATERIALS LIST			
UNLESS OTHERWISE SPECIFIED 1) All dimensions are in metric(mm). 2) Tolerances are as follows: 1 PL DEC ±0.30 Fractions ±1/64 2 PL DEC ±0.15 Angles ±1° 3 PL DEC ±0.08		SIGNATURES DATE DRAWN: KMM 02/06/14 CHECKED: MRF 02/06/14 ENGINEER: KMM APPROVAL: RFC 02/06/14 CUSTOMER:	
MATERIAL SPECIFICATIONS:		 Sine Systems - www.sineco.com 44724 Morley Drive Clinton Township, MI 48036	
PROCESS SPECIFICATIONS:		RT360 9 PIN, M/F, "MC" CABLE ASSY. KEY "N", HI-FLEX, TC-ER ONLY	
NEXT ASSY:		THIS DRAWING IS SUPPLIED FOR INFORMATION ONLY. DESIGN FEATURES, SPECIFICATIONS AND PERFORMANCE DATA SHOWN HEREON ARE THE PROPERTY OF THE AMPHENOL CORPORATION. NO RIGHTS OF REPRODUCTION ARE IMPLIED. ALL DIMENSIONS ARE SUBJECT TO NORMAL MANUFACTURING VARIATIONS.	SIZE: C- TYPE: P30165-M DWG NO: A1 REVISION: A1 SCALE: NONE C-P30165 SHEET 1 OF 1

TITLE: RT360 9 PIN, M/F, KEY "N", HI-FLEX, TC-ER ONLY
 DWG NO: C-P30165-M
 REV: A1
 SH: 1
 OF: 1