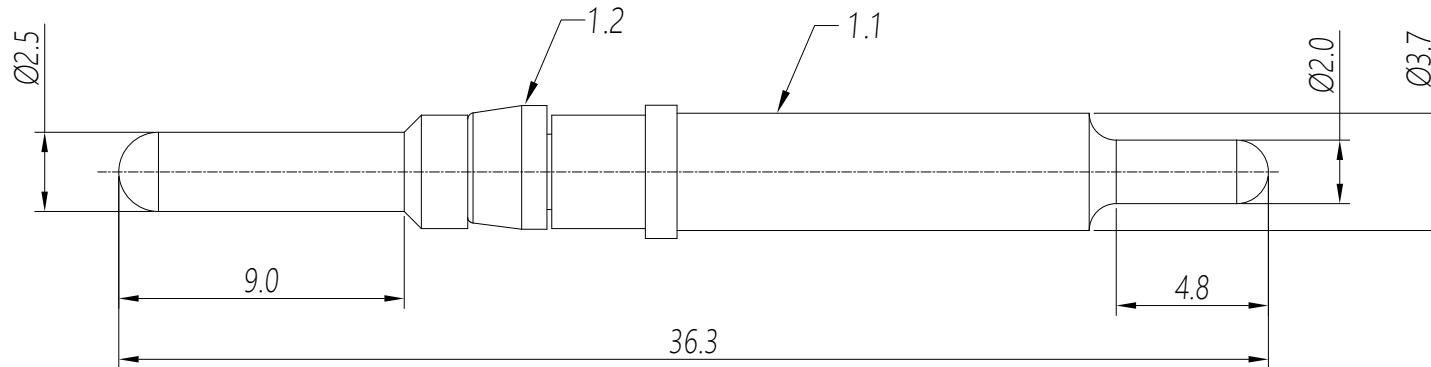


REVISIONS					
REV	ECO	DESCRIPTION	DATE	BY	APPR
B1	-	RELEASED DRAWING	AUG-18-2014	BEN	TOMMY



- NOTES: (UNLESS OTHERWISE SPECIFIED)
- MATERIAL:
 - CONTACT BODY: COPPER ALLOY.
 - POSITIONING CLIP: COPPER ALLOY.
 - SPECIFICATIONS:
 - CURRENT RATING: 23A(MAX).
 - TERMINATION TYPE: SOLDER.
 - ROHS COMPLIANT.
 - ALL DIMENSIONS ARE FOR REFERENCE USE ONLY.

P/N	CONTACT PLATING(MATING AREA)
MP10B12E05F	GOLD FLASH PLATING OVER NICKEL.
MP10B12E05G5	5 μ "GOLD PLATING OVER NICKEL.
MP10B12E05G10	10 μ "GOLD PLATING OVER NICKEL.
MP10B12E05G15	15 μ "GOLD PLATING OVER NICKEL.
MP10B12E05G30	30 μ "GOLD PLATING OVER NICKEL.

QUANTITY	PART NUMBER	DESCRIPTION	ITEM
MATERIALS LIST			
<small>UNLESS OTHERWISE SPECIFIED</small> 1) All dimensions are in metric(mm). 2) Tolerances are as follows: 1 PL DEC ± 0.30 2 PL DEC ± 0.15 3 PL DEC ± 0.08 Fractions $\pm 1/64$ Angles $\pm 1^\circ$ 3) Note reference =		SIGNATURES DRAWN: BEN CHECKED: ENGINEER: APPROVAL: CUSTOMER:	DATE AUG-17-2014
<small>MATERIAL SPECIFICATIONS:</small> PROCESS SPECIFICATIONS: NEXT ASSY:		<div style="text-align: center;"> <h1>Amphenol</h1> <p>Sine Systems - www.amphenol-sine.com 44724 Morley Drive Clinton Township, MI 48036</p> <p>ECO-MATE, PIN CONTACT, MACHINE, SOLDER, 2.50mm.</p> </div>	
<small>THIS DRAWING IS SUPPLIED FOR INFORMATION ONLY. DESIGN FEATURES, SPECIFICATIONS AND PERFORMANCE DATA SHOWN HEREON ARE THE PROPERTY OF THE AMPHENOL CORPORATION. NO RIGHTS OF REPRODUCTION ARE IMPLIED. ALL DIMENSIONS ARE SUBJECT TO NORMAL MANUFACTURING VARIATIONS.</small>		SIZE: B TYPE: C SCALE: NONE	DWG NO: MP10B12E05xx SHEET 1 OF 1

TITLE: ECO-MATE PIN CONTACT, SOLDER, 2.50mm.
 DWG NO: MP10B12E05xx
 REV: B1
 SH: 1
 OF: 1