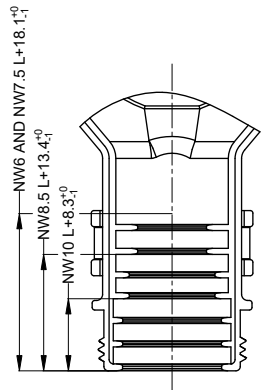
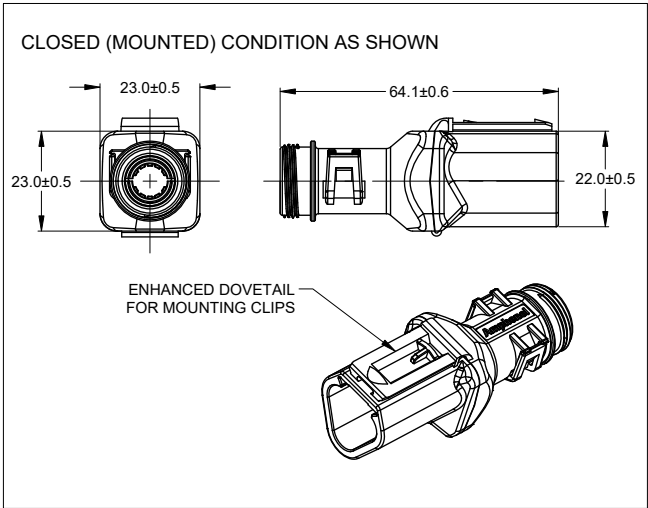
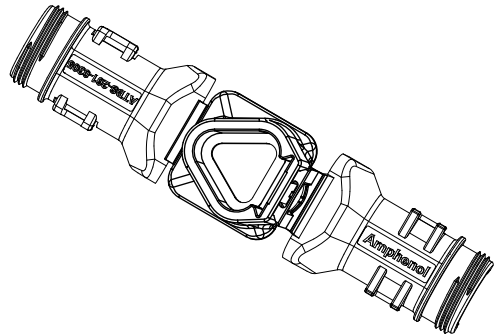
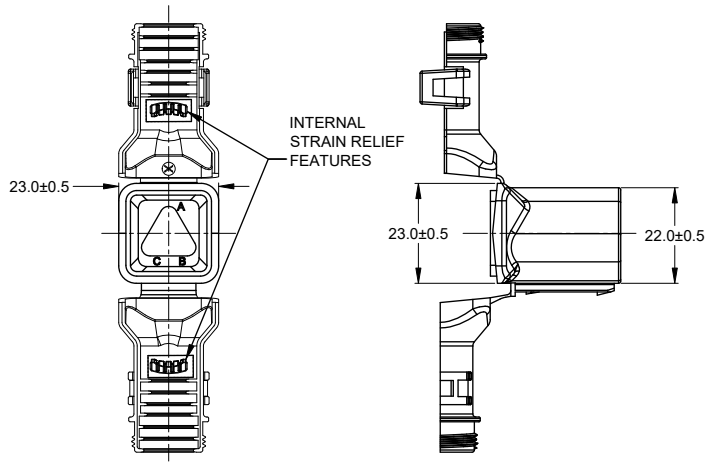


| REVISIONS | | | | | |
|-----------|-----|---|-----------|-------|-------|
| REV | ECO | DESCRIPTION | DATE | BY | APPR |
| A1 | - | RELEASE NUMBER | Jan/10/24 | LUCAS | TOMMY |
| A2 | - | ADDED SR NOTE, MOD NOTE #2 & TITLE ADDED DOVETAIL NOTE | 10APR24 | JHEAD | DH |



L+ =ADD LENGTH FOR CORRUGATED TUBE
SCALE 2:1

NOTES: UNLESS OTHERWISE SPECIFIED

1. MATERIAL: SHELL: THERMOPLASTIC; COLOR: BLACK
2. USE WITH AT04-3P-XXX, XXX = ALL MODIFICATIONS WITHOUT AN END CAP.
3. CABLE EXIT DESIGNED FOR CORRUGATED TUBE NW 6,7,5,8,5,10.
4. RoHS COMPLIANT
5. ALL DIMENSIONS ARE FOR REFERENCE USE ONLY.

| ATBS-261-0305 | | REF:1011-261-0305 | | | | | | | | | | | | | | | |
|--|-------------|---|----------|------------|---------|-------------------|-----------|-------------------|---------------|-----------|---|---------------------|-----------|-----------|------|---|---|
| QUANTITY | PART NUMBER | DESCRIPTION | ITEM | | | | | | | | | | | | | | |
| MATERIALS LIST | | | | | | | | | | | | | | | | | |
| UNLESS OTHERWISE SPECIFIED 1) All dimensions are in metric(mm). 2) Tolerances are as follows: 1 PL DEC ±0.30 Fractions ±1/64 2 PL DEC ±0.15 Angles ±1° 3 PL DEC ±0.08 | | <table border="1"> <tr> <th>SIGNATURES</th> <th>DATE</th> </tr> <tr> <td>DRAWN: LUCAS CHAI</td> <td>Jan/10/24</td> </tr> <tr> <td>CHECKED: ORION LI</td> <td>Jan/12/24</td> </tr> <tr> <td>ENGINEER:</td> <td></td> </tr> <tr> <td>APPROVAL: TOMMY XIE</td> <td>Jan/15/24</td> </tr> <tr> <td>CUSTOMER:</td> <td></td> </tr> </table> | | SIGNATURES | DATE | DRAWN: LUCAS CHAI | Jan/10/24 | CHECKED: ORION LI | Jan/12/24 | ENGINEER: | | APPROVAL: TOMMY XIE | Jan/15/24 | CUSTOMER: | | | |
| SIGNATURES | DATE | | | | | | | | | | | | | | | | |
| DRAWN: LUCAS CHAI | Jan/10/24 | | | | | | | | | | | | | | | | |
| CHECKED: ORION LI | Jan/12/24 | | | | | | | | | | | | | | | | |
| ENGINEER: | | | | | | | | | | | | | | | | | |
| APPROVAL: TOMMY XIE | Jan/15/24 | | | | | | | | | | | | | | | | |
| CUSTOMER: | | | | | | | | | | | | | | | | | |
| MATERIAL SPECIFICATIONS: | | <h1>Amphenol</h1> <p>Sine Systems - www.amphenol-sine.com 44724 Morley Drive Clinton Township, MI 48036</p> | | | | | | | | | | | | | | | |
| PROCESS SPECIFICATIONS: | | <p>RECEPTACLE, BACKSHELL, 3 POS, AT, STRAIGHT, SR, BLACK</p> | | | | | | | | | | | | | | | |
| NEXT ASSY: | | <table border="1"> <tr> <td>SIZE</td> <td>TYPE</td> <td>DWG NO.</td> <td>REVISION</td> </tr> <tr> <td>B</td> <td>C-</td> <td>ATBS-261-0305</td> <td>A2</td> </tr> </table> | SIZE | TYPE | DWG NO. | REVISION | B | C- | ATBS-261-0305 | A2 | <table border="1"> <tr> <td>SCALE</td> <td>SHEET</td> <td>OF</td> </tr> <tr> <td>NONE</td> <td>1</td> <td>1</td> </tr> </table> | SCALE | SHEET | OF | NONE | 1 | 1 |
| SIZE | TYPE | DWG NO. | REVISION | | | | | | | | | | | | | | |
| B | C- | ATBS-261-0305 | A2 | | | | | | | | | | | | | | |
| SCALE | SHEET | OF | | | | | | | | | | | | | | | |
| NONE | 1 | 1 | | | | | | | | | | | | | | | |

TITLE: RECEPTACLE BACKSHELL, 3 POS, AT, STRAIGHT, SR, BLACK
DWG NO.: ATBS-261-0305
REV: A2
SH: 1
OF: 1