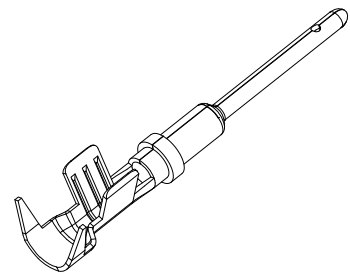
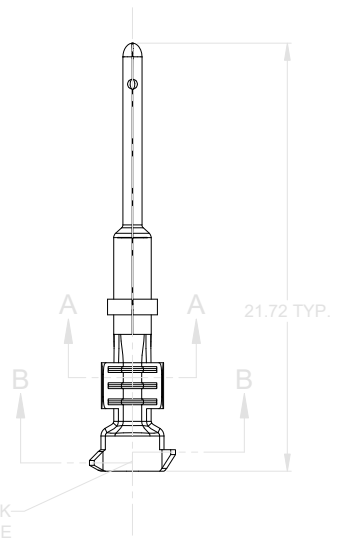
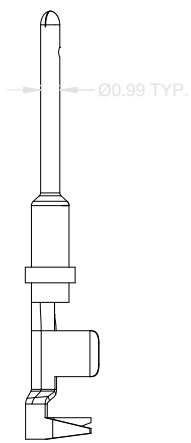
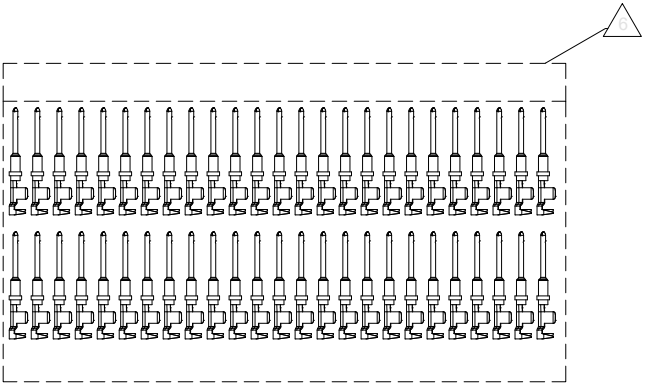
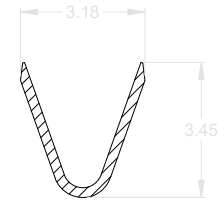


REVISIONS					
REV	ECO	DESCRIPTION	DATE	BY	APPR
A3	-	RELEASE NEW DWG FORMAT	30/JUN/13	DRP	-
A4	-	LOOSE PIECE FORMAT	15/MAY/24	CJF	-
A5	-	ADDED NOTE 9	09/DEC/25	CJF	-

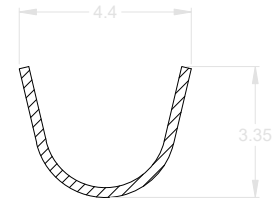


NOTES: UNLESS OTHERWISE SPECIFIED

1. MATERIAL: COPPER ALLOY
2. PLATING: SEE PART NUMBER CHART
3. CONTACT SIZE: 20
4. SPECIFICATIONS:
  - 4.1 CURRENT RATING: 7.5 AMPS
  - 4.2 CONTACT MILLIVOLT DROP: 100 MILLIVOLT DROP MAXIMUM AT 7.5 AMP TEST CURRENT.
  - 4.3 RoHS COMPLIANT
5. RECOMMENDED WIRE RANGE: 16 - 22 AWG
6. PACKAGE: 50 PCS PER BAG
7. AVAILABLE HAND TOOL: ATT-20-00
8. ALL DIMENSIONS ARE FOR REFERENCE USE ONLY
9. ID MARK PRESENT OR NOT DETERMINES MANUFACTURE



SECTION A-A



SECTION B-B

PART NUMBER CHART	
PLATING	PART NUMBER
NICKEL	AT60-20-0122-LP
GOLD	AT60-20-0144-LP

SEE PART NUMBER CHART		DESCRIPTION		ITEM
QUANTITY	PART NUMBER			
<b>MATERIALS LIST</b>				
<small>UNLESS OTHERWISE SPECIFIED</small> 1) All dimensions are in metric(mm). 2) Tolerances are as follows: 1 PL DEC ±0.30 Fractions ±1/64 2 PL DEC ±0.15 Angles ±1° 3 PL DEC ±0.08 3) Note reference =		<b>SIGNATURES</b> <b>DATE</b> DRAWN: D.PARKS    30/JUN/13 CHECKED: ENGINEER: APPROVAL:		
<b>MATERIAL SPECIFICATIONS:</b>		<b>Amphenol</b> Sine Systems - www.amphenol-sine.com 44724 Morley Drive Clinton Township, MI 48036 <b>CONTACT, PIN, STAMPED, 50PCS BAGGED            SIZE 20, 16-22 AWG</b>		
<b>PROCESS SPECIFICATIONS:</b>		SIZE: B C- SCALE: NONE	DWG NO: <b>AT60-20-01XX-LP</b>	REVISION: <b>A5</b>
<b>NEXT ASSY:</b>		SHEET 1 OF 1		

TITLE: CONTACT PIN, STAMPED, SIZE 20, 16-22 AWG, A111 SERIES    DWG NO. AT60-20-01XX    REV. A5    SH. 1    OF. 1