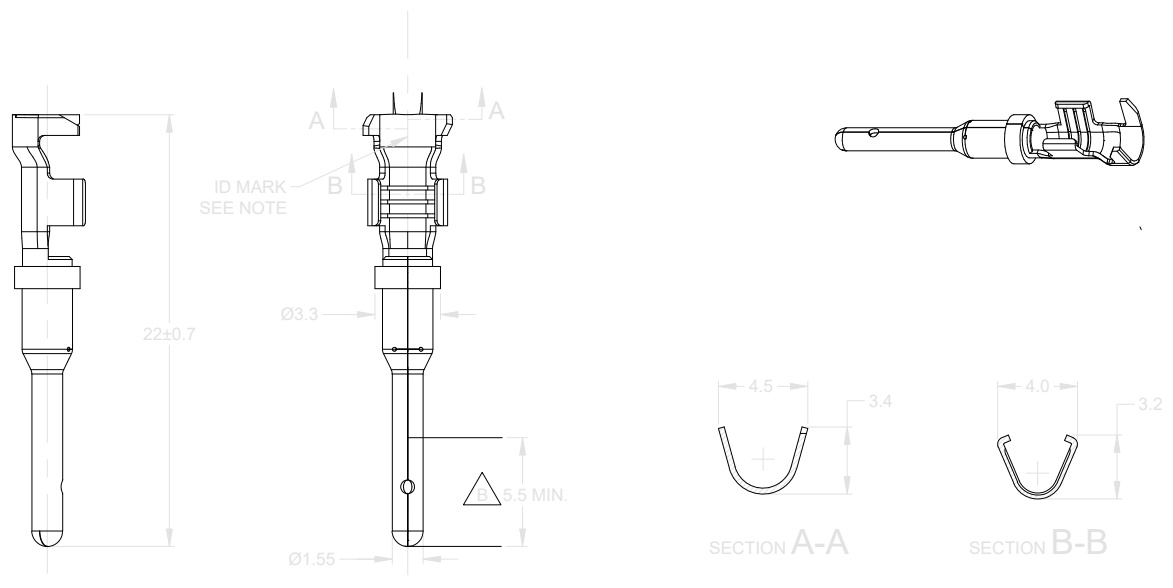
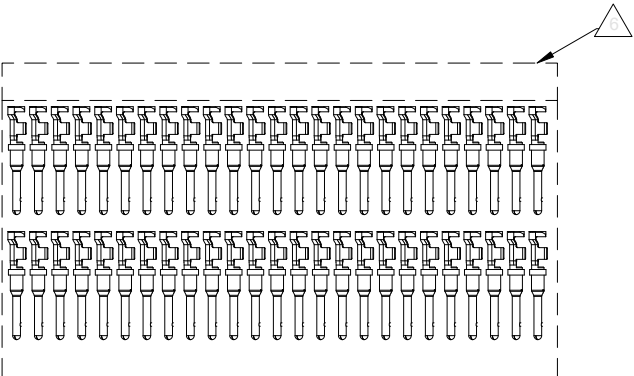


REVISIONS					
REV	ECO	DESCRIPTION	DATE	BY	APPR
A1	-	LOOSE PIECE RELEASE	09JUL24	CJF	-
A2	-	ADDED NOTE 9	02DEC25	CJF	-



NOTES: UNLESS OTHERWISE SPECIFIED

1. MATERIAL: COPPER ALLOY
2. PLATING: SEE PART NUMBER CHART
3. CONTACT SIZE: 16
4. SPECIFICATIONS:
 - 4.1 CURRENT RATING: 13 AMPS
 - 4.2 CONTACT MILLIVOLT DROP: 100 MILLIVOLT DROP @ 13 AMP TEST CURRENT.
 - 4.3 RoHS COMPLIANT
5. RECOMMENDED WIRE RANGE: 16 - 18 AWG
6. PACKAGE: 50 PCS PER BAG
7. AVAILABLE HAND TOOL: ATT-16-01
8. ALL DIMENSIONS ARE FOR REFERENCE USE ONLY
9. ID MARK PRESENT OR NOT DETERMINES MANUFACTURER

PART NUMBER CHART		
PLATING	PART NUMBER	PLATING DESCRIPTION
NICKEL	AT60-16-0122-LP	SELECTIVE TIN OVER NICKEL OVERALL IN \triangle ZONE
GOLD	AT60-16-0144-LP	SELECTIVE GOLD FLASH OVER NICKEL OVERALL IN \triangle ZONE OR ENTIRE CONTACT
TIN	AT60-16-0177-LP	TIN OVER NICKEL OVERALL

SEE PART NUMBER CHART		REF: 1060-16-0144, 1060-16-0122, 1060-16-0177																								
QUANTITY	PART NUMBER	DESCRIPTION	ITEM																							
<table border="1"> <thead> <tr> <th colspan="3">MATERIALS LIST</th> </tr> <tr> <th>SIGNATURES</th> <th>DATE</th> <th></th> </tr> </thead> <tbody> <tr> <td>DRAWN: SULENZHANG</td> <td>14/SEP/20</td> <td rowspan="3"> Amphenol Sine Systems - www.amphenol-sine.com 44724 Morley Drive Clinton Township, MI 48036 </td> </tr> <tr> <td>CHECKED: ORION LI</td> <td>15/SEP/20</td> </tr> <tr> <td>ENGINEER:</td> <td></td> </tr> <tr> <td>APPROVAL: TOMMY XIE</td> <td>18/SEP/20</td> <td></td> </tr> <tr> <td colspan="3">CUSTOMER:</td> <td></td> </tr> </tbody> </table>				MATERIALS LIST			SIGNATURES	DATE		DRAWN: SULENZHANG	14/SEP/20	Amphenol Sine Systems - www.amphenol-sine.com 44724 Morley Drive Clinton Township, MI 48036	CHECKED: ORION LI	15/SEP/20	ENGINEER:		APPROVAL: TOMMY XIE	18/SEP/20		CUSTOMER:						
MATERIALS LIST																										
SIGNATURES	DATE																									
DRAWN: SULENZHANG	14/SEP/20	Amphenol Sine Systems - www.amphenol-sine.com 44724 Morley Drive Clinton Township, MI 48036																								
CHECKED: ORION LI	15/SEP/20																									
ENGINEER:																										
APPROVAL: TOMMY XIE	18/SEP/20																									
CUSTOMER:																										
CONTACT, PIN, STAMPED, SIZE 16, 50PCS BAGGED, 16-18 AWG, A SERIES																										
<table border="1"> <thead> <tr> <th>UNLESS OTHERWISE SPECIFIED</th> <th></th> </tr> </thead> <tbody> <tr> <td>1) All dimensions are in metric(mm).</td> <td></td> </tr> <tr> <td>2) Tolerances are as follows:</td> <td>Fractions ±1/64</td> </tr> <tr> <td>1 PL DEC ±0.30</td> <td>Angles ±1°</td> </tr> <tr> <td>2 PL DEC ±0.15</td> <td></td> </tr> <tr> <td>3 PL DEC ±0.08</td> <td></td> </tr> <tr> <td>3) Note reference = \triangle</td> <td></td> </tr> </tbody> </table>		UNLESS OTHERWISE SPECIFIED		1) All dimensions are in metric(mm).		2) Tolerances are as follows:	Fractions ±1/64	1 PL DEC ±0.30	Angles ±1°	2 PL DEC ±0.15		3 PL DEC ±0.08		3) Note reference = \triangle		<table border="1"> <thead> <tr> <th>THIS DRAWING IS SUPPLIED FOR INFORMATION ONLY. DESIGN FEATURES, SPECIFICATIONS AND PERFORMANCE DATA SHOWN HEREON ARE THE PROPERTY OF THE AMPHENOL CORPORATION. NO RIGHTS OF REPRODUCTION ARE IMPLIED. ALL DIMENSIONS ARE SUBJECT TO NORMAL MANUFACTURING VARIATIONS.</th> <th>SIZE</th> <th>TYPE</th> <th>DWG NO.</th> <th>REVISION</th> </tr> </thead> <tbody> <tr> <td></td> <td>B</td> <td>C-</td> <td>AT60-16-01XX-LP</td> <td>A1</td> </tr> </tbody> </table>	THIS DRAWING IS SUPPLIED FOR INFORMATION ONLY. DESIGN FEATURES, SPECIFICATIONS AND PERFORMANCE DATA SHOWN HEREON ARE THE PROPERTY OF THE AMPHENOL CORPORATION. NO RIGHTS OF REPRODUCTION ARE IMPLIED. ALL DIMENSIONS ARE SUBJECT TO NORMAL MANUFACTURING VARIATIONS.	SIZE	TYPE	DWG NO.	REVISION		B	C-	AT60-16-01XX-LP	A1
UNLESS OTHERWISE SPECIFIED																										
1) All dimensions are in metric(mm).																										
2) Tolerances are as follows:	Fractions ±1/64																									
1 PL DEC ±0.30	Angles ±1°																									
2 PL DEC ±0.15																										
3 PL DEC ±0.08																										
3) Note reference = \triangle																										
THIS DRAWING IS SUPPLIED FOR INFORMATION ONLY. DESIGN FEATURES, SPECIFICATIONS AND PERFORMANCE DATA SHOWN HEREON ARE THE PROPERTY OF THE AMPHENOL CORPORATION. NO RIGHTS OF REPRODUCTION ARE IMPLIED. ALL DIMENSIONS ARE SUBJECT TO NORMAL MANUFACTURING VARIATIONS.	SIZE	TYPE	DWG NO.	REVISION																						
	B	C-	AT60-16-01XX-LP	A1																						
NEXT ASSY:		SCALE: NONE	SHEET 1 OF 1																							

TITLE: PIN, STAMPED, SIZE 16, 16-18 AWG, A SERIES
 DWG NO: AT60-16-01XX
 REV: A1
 SH: 1
 OF: 1