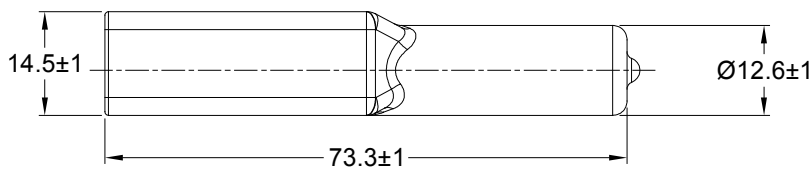
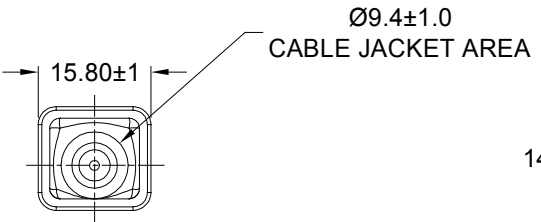
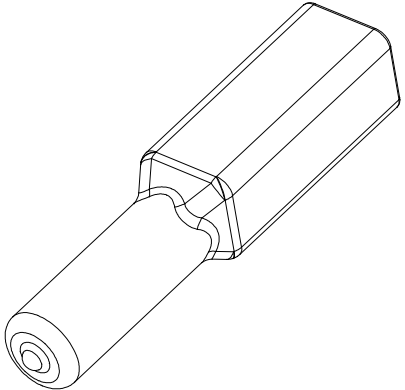


REVISIONS					
REV	ECO	DESCRIPTION	DATE	BY	APPR
A1	-	RELEASE NUMBER	28AUG19	BROOK	TOMMY



PART NUMBER CHART	
COLOR	PART NUMBER
GREY	AT2P-BT
BLACK	AT2P-BT-BK
YELLOW	AT2P-BT-YW

NOTES: UNLESS OTHERWISE SPECIFIED

- THIS PART IS USED ON AT04-2P RECEPTACLE ANY MODIFICATION DOES NOT INCLUDE AN END CAP.
- TEMPERATURE RATING : -29°C TO +100°C [-20°F TO +212°F]
- ALL DIMENSIONS ARE FOR REFERENCE USE ONLY.

SEE PART NUMBER CHART		REF:DT2P-BT ,DT2P-BT-BK ,DT2P-BT-YW		
PART NUMBER		DESCRIPTION		
QUANTITY	MATERIALS LIST			ITEM
UNLESS OTHERWISE SPECIFIED 1) All dimensions are in metric(mm). 2) Tolerances are as follows: 1 PL DEC ±0.30 2 PL DEC ±0.15 3 PL DEC ±0.08 Fractions ±1/64 Angles ±1° 3) Note reference =		SIGNATURES		DATE
MATERIAL SPECIFICATIONS: <b>PVC</b>		DRAWN: <b>BROOK.DING</b>		28AUG19
PROCESS SPECIFICATIONS:		CHECKED: <b>ORION.LI</b>		28AUG19
NEXT ASSY:		ENGINEER:		
		APPROVAL: <b>TOMMY.XIE</b>		28AUG19
		CUSTOMER:		
		THIS DRAWING IS SUPPLIED FOR INFORMATION ONLY. DESIGN FEATURES, SPECIFICATIONS AND PERFORMANCE DATA SHOWN HEREON ARE THE PROPERTY OF THE AMPHENOL CORPORATION. NO RIGHTS OF REPRODUCTION ARE IMPLIED. ALL DIMENSIONS ARE SUBJECT TO NORMAL MANUFACTURING VARIATIONS.		
		SIZE <b>A</b> TYPE <b>C-</b> DWG NO: <b>AT2P-BT-XX</b>		REVISION <b>A1</b>
		SCALE: <b>NONE</b>		SHEET <b>1</b> OF <b>1</b>

**Amphenol**

Sine Systems - www.amphenol-sine.com  
44724 Morley Drive  
Clinton Township, MI 48036

BOOT, AT, 2 WAY, RECEPTACLE