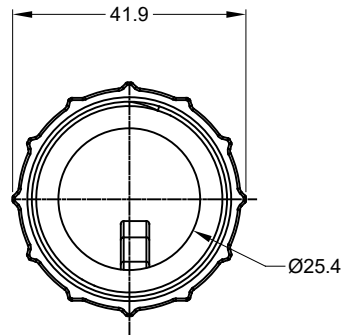
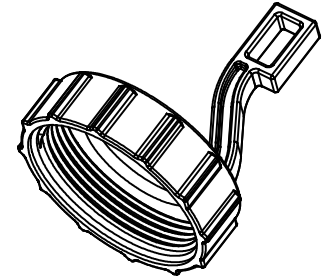
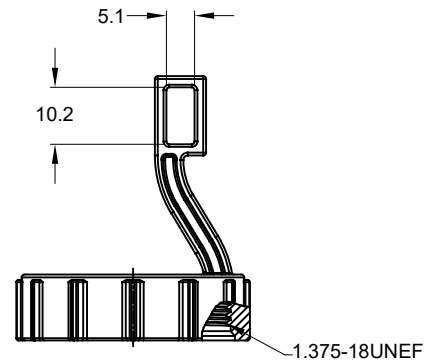
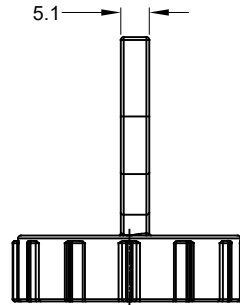
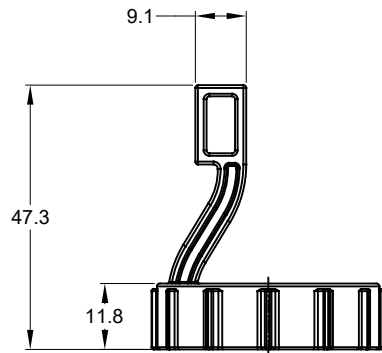


REVISIONS					
REV	ECO	DESCRIPTION	DATE	BY	APPR
01		RELEASE NEW DRAWING	14NOV17	RIMON	TOMMY



NOTES: UNLESS OTHERWISE SPECIFIED

1. MATERIAL: THERMOPLASTIC; COLOR: GREY
2. COMPATIBLE WITH AHD 9 POSITION.
3. RoHS COMPLIANT.
4. ALL DIMENSIONS ARE FOR REFERENCE USE ONLY.

TITLE: BACK SHELL FOR AHD 9 POS
 DWG NO: AT18-009
 REV: 01
 SH: 1
 OF: 1

AT18-009		DESCRIPTION		ITEM
QUANTITY	PART NUMBER	DESCRIPTION		
		BACK SHELL FOR AHD 9 POS		
MATERIALS LIST UNLESS OTHERWISE SPECIFIED: 1) All dimensions are in metric (mm). 2) Tolerances are as follows: 1 PL DEC ±0.30 2 PL DEC ±0.15 3 PL DEC ±0.08 Fractions ±1/64 Angles ±1° 3) Note reference =		SIGNATURES DATE DRAWN: RIMON,MA 14NOV17 CHECKED: ORION,LI 14NOV17 ENGINEER: APPROVAL: TOMMY,XIE 14NOV17 CUSTOMER:		Amphenol Sine Systems - www.amphenol-sine.com 44724 Morley Drive Clinton Township, MI 48036
MATERIAL SPECIFICATIONS: PROCESS SPECIFICATIONS: NEXT ASSY:		THIS DRAWING IS SUPPLIED FOR INFORMATION ONLY. DESIGN FEATURES, SPECIFICATIONS AND PERFORMANCE DATA SHOWN HEREON ARE THE PROPERTY OF THE AMPHENOL CORPORATION. NO RIGHTS OF REPRODUCTION ARE IMPLIED. ALL DIMENSIONS ARE SUBJECT TO NORMAL MANUFACTURING VARIATIONS.		SIZE: B C- SCALE: NONE
		DWG NO: AT18-009		REVISION: 01
		SHEET 1 OF 1		