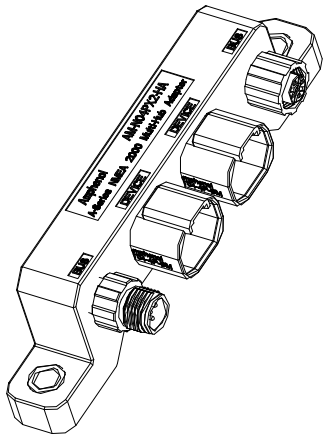
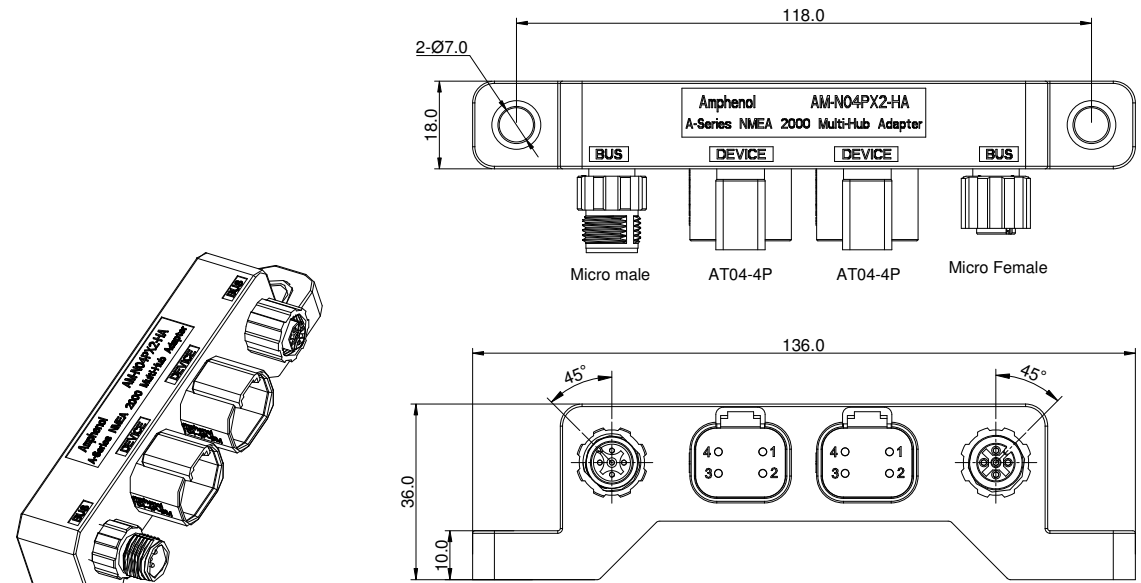


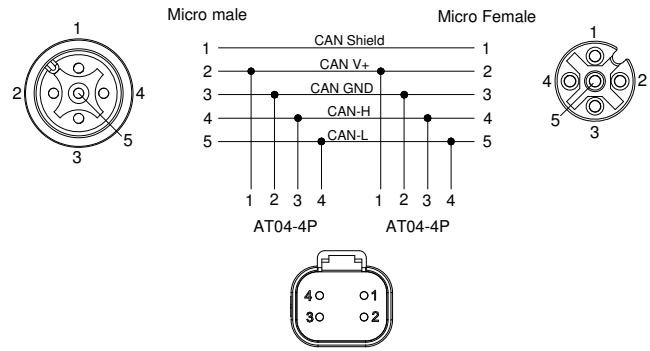
REVISIONS					
REV	ECO	DESCRIPTION	DATE	BY	APPR
A1	-	FIRST RELEASE	Aug.11,2015	Tod	TOMMY
A2	-	Add The Angle For Micro Male And Female	Aug.18,2015	Drack	TOMMY



NOTES: UNLESS OTHERWISE SPECIFIED

- MATERIAL:
 - COUPLING NUT: PA66 UL94V-0
 - INSULATION INSERT: PA66,UL94 V0
 - SEAL: SILICON RUBBER
 - OVERMOLD MATERIAL: THERMOPLASTIC COLOR: BLACK
 - CONTACT: GOLD FLASH PLATING OVER COPPER ALLOY
- SPECIFICATIONS:
 - 2.1 CURRENT RATING: 4 AMPS
 - 2.2 VOLTAGE RATING: 60V AC/DC
 - 2.3 OPERATING TEMPERATURE: -20°C TO +130°C
 - 2.4 DIELECTRIC WITHSTANDING VOLTAGE: LESS THAN 2 MILLIAMPS CURRENT LEAKAGE @ 1000 VOLTS AC.
 - 2.5 DEGREE OF PROTECTION: IP67 (MATED CONDITION)
 - 2.6 DEGREE OF POLLUTION: 3 PER UL840
 - 2.7 OVERVOLTAGE CATEGORY: III PER UL840
 - 2.8 MATING CYCLE DURABILITY: >100 CYCLES
 - 2.9 RoHS COMPLIANT
- ALL DIMENSIONS ARE FOR REFERENCE USE ONLY.

Wire diagram



SEE PART NUMBER CHART		QUANTITY	PART NUMBER	DESCRIPTION	ITEM
MATERIALS LIST					
UNLESS OTHERWISE SPECIFIED 1) All dimensions are in metric(mm). 2) Tolerances are as follows: 1 PL DEC ±0.30 Fractions ±1/64 2 PL DEC ±0.15 Angles ±1° 3 PL DEC ±0.08		SIGNATURES DRAWN: Drack CHECKED: ENGINEER: APPROVAL:		DATE Aug.18,2015	
MATERIAL SPECIFICATIONS:		CUSTOMER:		<h1 style="margin: 0;">Amphenol</h1> <p style="margin: 0;">Sine Systems - www.amphenol-sine.com 44724 Morley Drive Clinton Township, MI 48036</p> <p style="margin: 0;">A series, NMEA 2000 Multi-Hub Adapter</p>	
PROCESS SPECIFICATIONS:		THIS DRAWING IS SUPPLIED FOR INFORMATION ONLY. DESIGN FEATURES, SPECIFICATIONS AND PERFORMANCE DATA SHOWN HEREON ARE THE PROPERTY OF THE AMPHENOL CORPORATION. NO RIGHTS OF REPRODUCTION ARE IMPLIED. ALL DIMENSIONS ARE SUBJECT TO NORMAL MANUFACTURING VARIATIONS.			
NEXT ASSY:		SIZE	B C-	DWG NO:	AM-N04PX2-HA
		SCALE:	NONE	REVISION	A2
				SHEET	1 OF 1

TITLE: A series, NMEA 2000 Multi-Hub Adapter DWG NO: AM-N04PX2-HA REV: A2 SH: 1 OF: 1