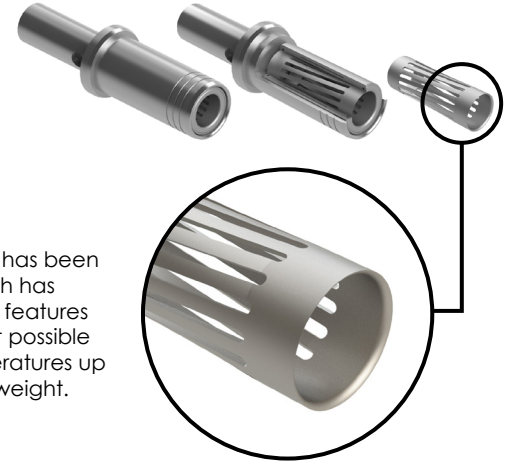


# R RADSOK® R8S

## High Voltage, High Current Contact System

The RADSOK® R8S is a further development of the extremely reliable RADSOK® contact system, which has been successfully used in industrial sectors for a number of decades. The symmetrical annular contact, which has been optimized in all areas, is comprised of a contact grid made of a beryllium-free copper alloy and features a radially-twisted lamella layout for self-cleaning. This design enables the contacts to achieve the best possible contact resistance and high corrosion resistance. The RADSOK® R8S contact system withstands temperatures up to 170°C. The new and improved contact system also boasts a high power density in proportion to its weight.



**Applications:** Industrial, Automation, Harsh Environment

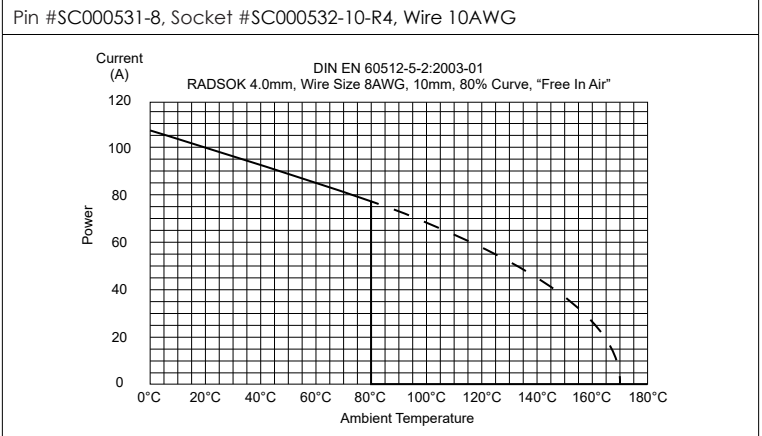
**Key Features**

- Low contact resistance
- Higher amperage in a compact design
- Contact Area Extends 360° Around Pins
- Radially-twisted lamella layout for self-cleaning
- Withstands temperatures up to 170°C

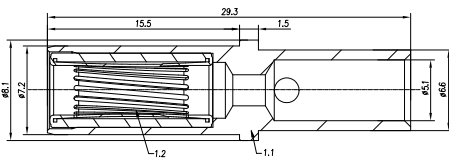
**Technical Specifications**

Operating Temperature	-40°C to +170°C
Contact Body	Copper Alloy, Silver-Plated
Contact Spring	Copper Alloy, Silver-Plated
Max. Current (AMP)	Socket #SC000532-6-R4 / 70A / 6-8AWG Socket #SC000532-10-R4 / 70A / 10-12AWG Socket #SC000532-14-R4 / 70A / 14-16AWG
Termination Type	Crimp
Mating Cycles	>500 matings and unmatings
RoHS	Compliant

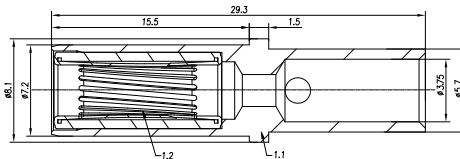
**Derating Curves - DIN EN 60512-5-2:2003-01**



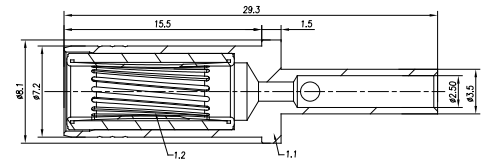
Socket #SC000532-6-R4 Dimensions



Socket #SC000532-10-R4 Dimensions



Socket #SC000532-14-R4 Dimensions



**For more information, contact:** Customer Service, +1 800 394 7732, [csr@amphenol-sine.com](mailto:csr@amphenol-sine.com)