

4<sup>th</sup> June 2021

**Technical Bulletin 21-03**

**SUBJECT:** Increase Outside Diameter of the Metal Washer to Amphenol Audio’s ACJM-MHOM and ACJS-MHOM series products.

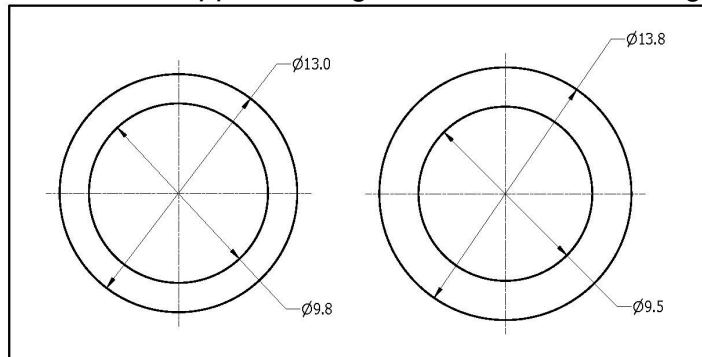
This document is to notify our valued clients that the above series products manufactured by **Amphenol Australia**, the Amphenol division responsible also for **Amphenol Audio**, are to undergo a product improvement upgrade.

**Detail:**

At the moment the Outside Diameter of the Metal Washer for these products listed below is at 13.0mm and will be increased to 13.8mm and Inside Diameter is at 9.8mm and will be reduce to 9.5mm. The design change is adding more area of the Washer under the 14mm OD Metal Nut.

<b>Affected Products</b>	<b>Changed versions:</b>	
	ACJM-MHOM	ACJS-MHOM

This change will be implemented as a running change to production and will be phased in as the new product completes it qualification and approval stages and the current design phases out.



View of increase Outside Diameter from 13.0mm to 13.8mm.

Kind regards,

Minh Hoang

Project Engineer  
Audio Products & QA